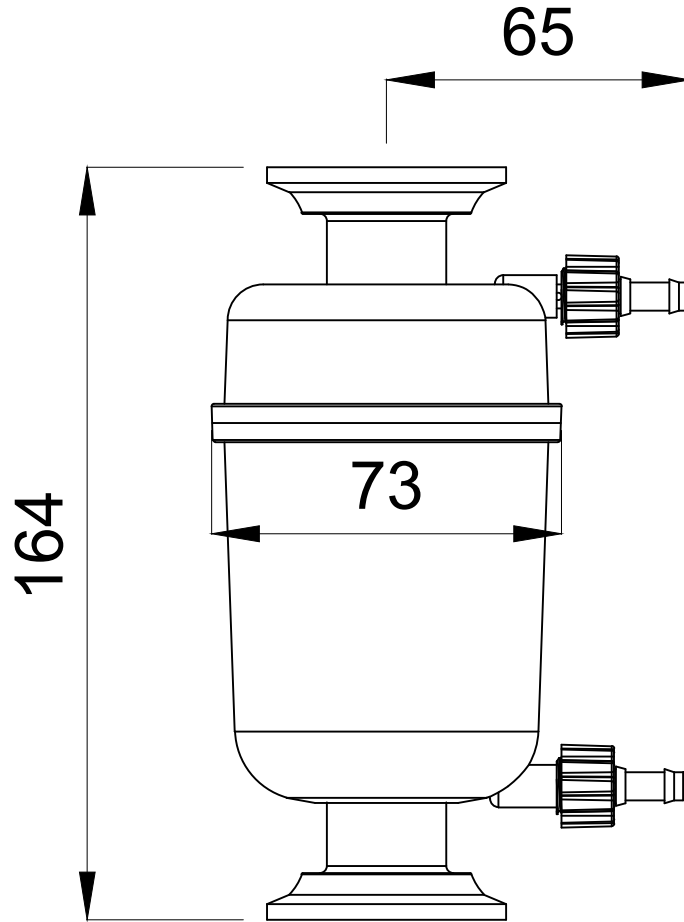


DO NOT SCALE THE DRAWING
ALL DIMENSIONS ARE IN mm



PART	QUANTITY	REF. NO.	DESCRIPTION	MATERIAL	FINISHED SIZE	HARDNESS	REMARK

REV. NO.	ECN. NO.	DATE	DESCRIPTION	REV. NO.	ECN. NO.	DATE	DESCRIPTION

mdi Advanced Microdevices Pvt. Ltd. 20, 21, Industrial Area , Ambala Cantt., 133006	SCALE NONE	PROJ. 	DATE	SIGN.	TOLERANCE UNLESS SPECIFIED				
5" Capsule Filter With 50mm TC I/O			DRAWN		C	A±0.100	A±0.050	A±0.025	A±0.010
			DESIGNED		T	A±0.050	A±0.025	A±0.010	A±0.000
			CHECKED		S				
			APPROVED		ANGLE	A±2Å°	A±2Å°	A±2Å°	A±2Å°
TOOL No.	COMP. No.	STORE No.	SHEET 1 OF 1						